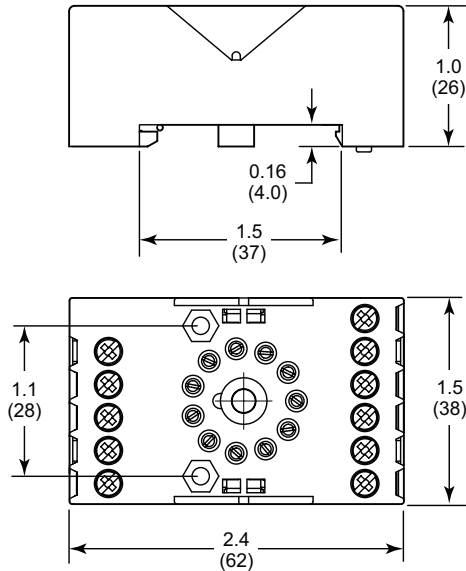


# SOCKETS & ACCESSORIES

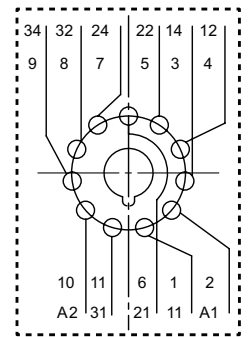
## SR3ZC3 Octal (Round) 11-Terminal Sockets DIN-Rail or Screw Mounting



- ◆ Tighten terminal screws to recommended torque of 5.31 in-lb
  - ◆ Approximate weight: 0.12 lb (56 g)
- Safety Approvals:** UL/cUL, CE, RoHS compliant



Dimensions in Inches (Millimeters)

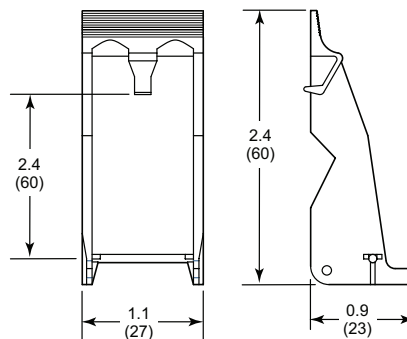


Wiring Diagram

## GB-PR Retainer (Plastic) For use with GB Series Blade Relay/Sockets



GB-PR Retainer

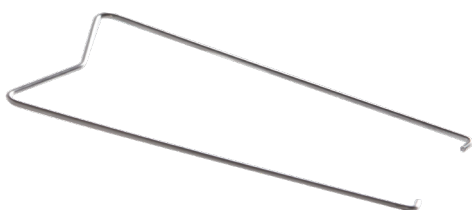


Dimensions in Inches (Millimeters)

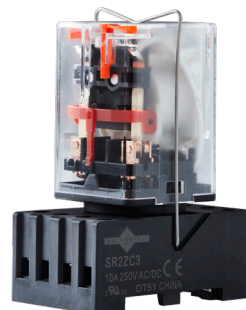


Retainer on GB120A4 Relay and SB4ZC5 Socket

## GR-MR Retainer (Metal) For use with GR Series Octal Relay/Sockets



GR-MR Retainer



Retainer on GR120A2w Relay and SR2ZC3 Socket

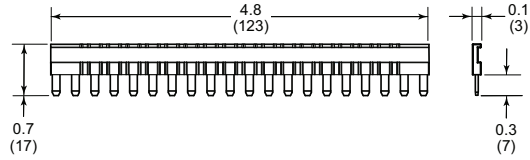
# SOCKETS & ACCESSORIES

## 41F-J1B Jumper

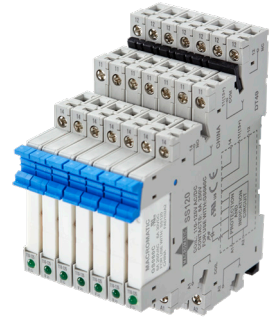
For use with GSC Series Slim Relay/Socket



41F-J1B Jumper



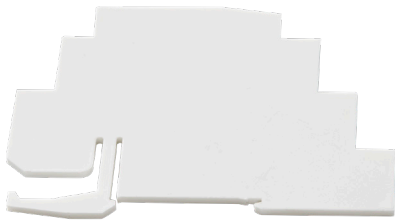
Dimensions in Inches (Millimeters)



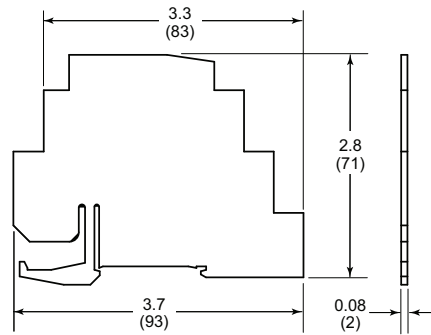
Jumper inserted on relay stack

## 41F-S Separator

For use with GSC Series Slim Relay/Socket



41F-S Separator



Dimensions in Inches (Millimeters)



Separator inserted on relay stack