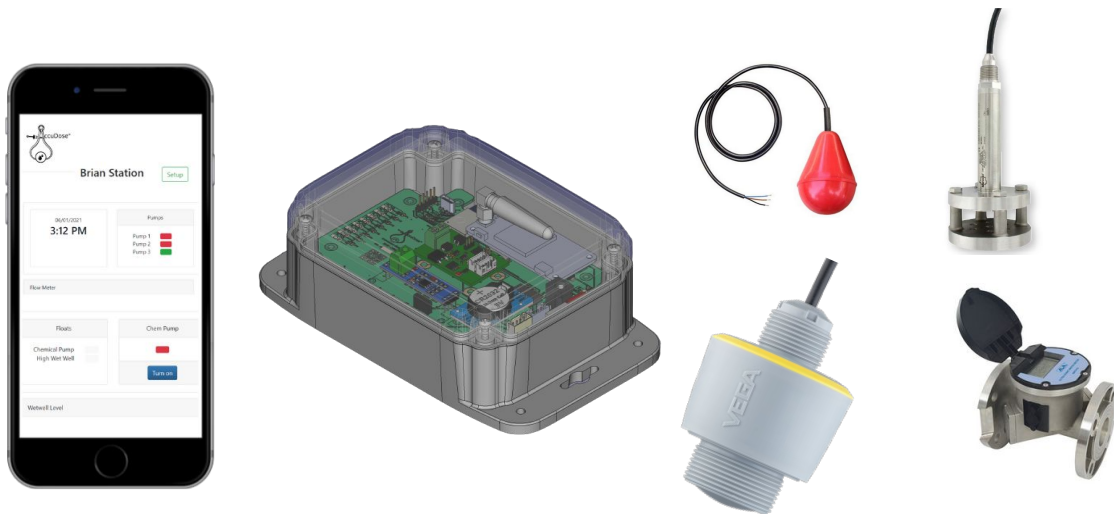


AccuWatch unit with 24/7 real-time monitoring of pumps and high level alarms. AccuWatch Pro provides 4 to 20 ma sensor monitoring. Includes cellular internet connection with no monthly cellular ISP fees.



The AccuWatch pump and lift station monitoring system is a low cost real time IIoT and cloud based server with remote capabilities. The AccuWatch Pro offers the same functionality as the standard AccuWatch but offers the ability to monitor four analog input sensors. AccuWatch also offers free cellular internet access almost anywhere in the world.

[AccuWatch/Pro RMC-2000](#)

Pump Station Monitoring

- Prevent or reduce wastewater overflows.
- Real-time station status updates.
- Real-time sensor and instrumentation values.
- Works in almost all remote locations.
- Prevent or reduce wastewater overflows.
- Management cloud server dashboard with reporting.
- Remote cellular internet access with no fees.
- Four analog inputs for any 4 to 20 ma sensor.

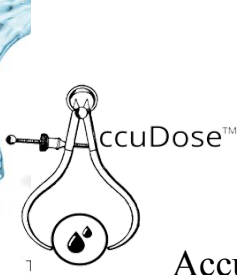
Technical Specifications

Accuwatch

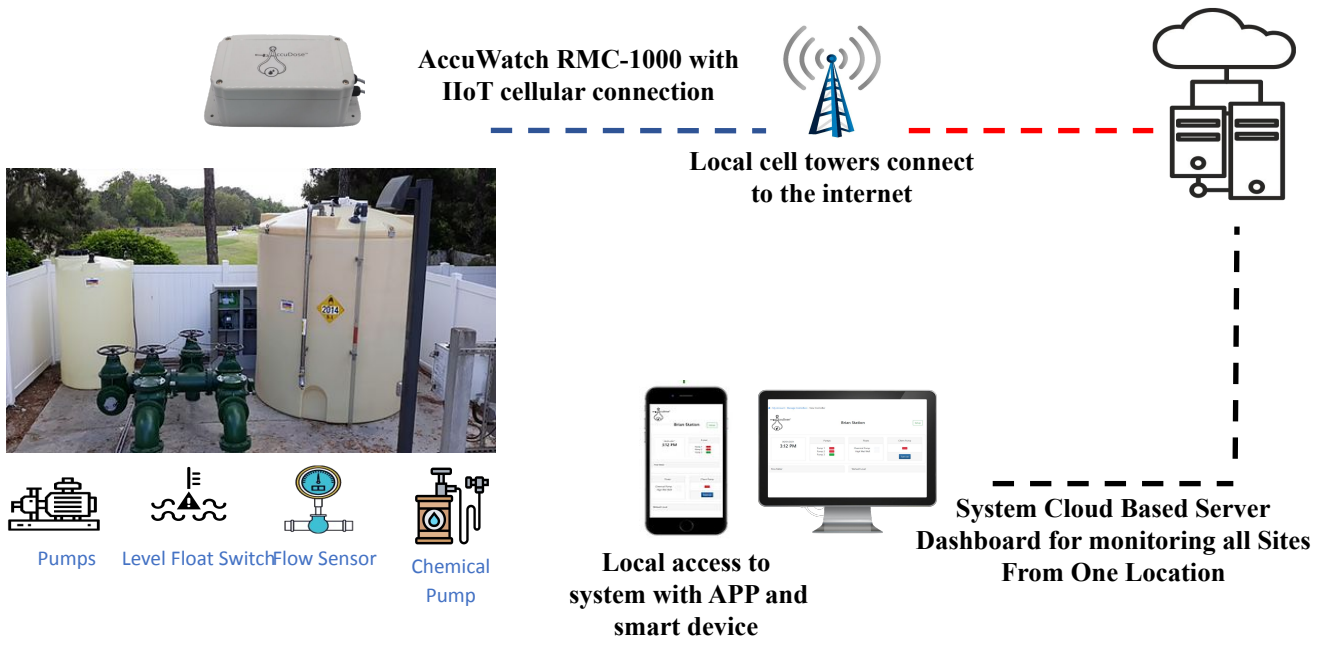
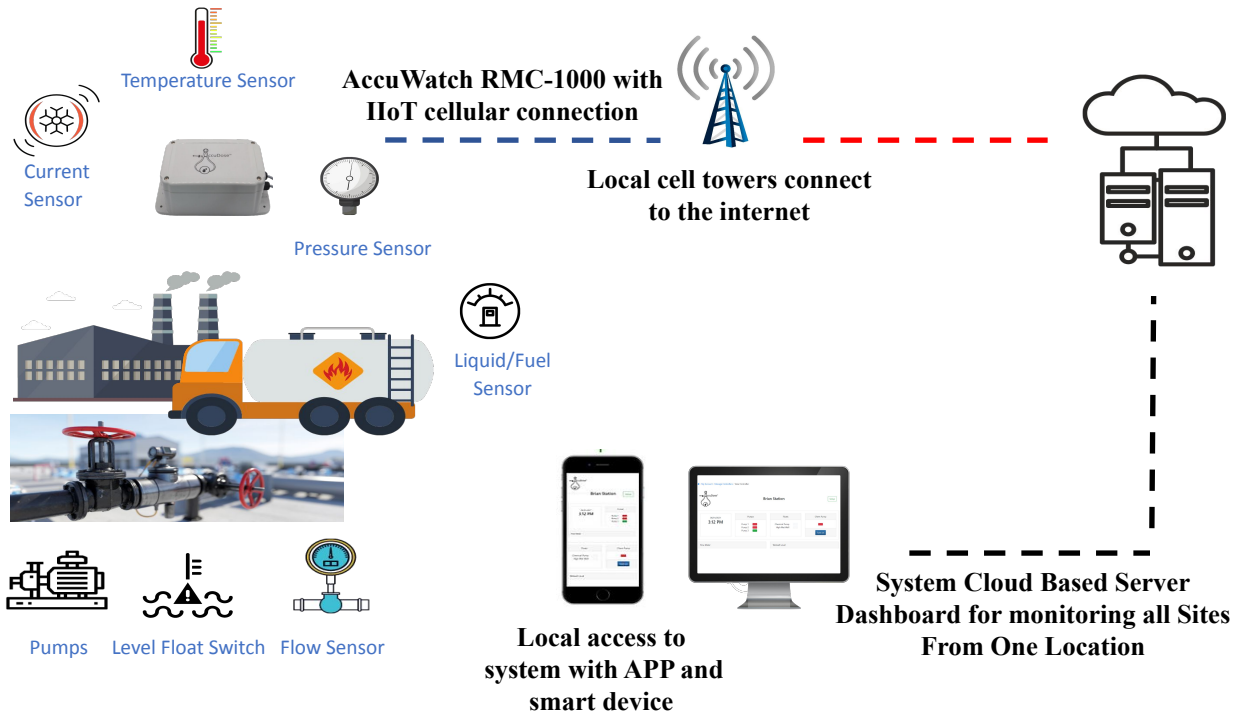
- 24 Vdc power supply.
- Cellular modem internet connection.
- Eight opto-isolated digital inputs.

AccuWatch Pro

- Four 4 to 20 ma Inputs.
- Eight Digital Inputs
- Two relay control digital outputs
- Optional MODBUS RS485
- Optional 4 to 20 ma Output



AccuWatch-RMC 2000 Application Data Sheet



East Coast Office: 2160 Broadway View Avenue Brandon, Florida 33510
 West Coast Office: 4658 West South Jordan Parkway South Jordan, Utah 84095

Accu-dose.com Office (866) 310-1055